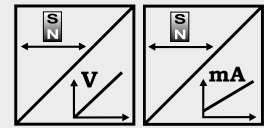




POSICHRON® position sensor in square profile

- Protection class IP67/69K
- Measurement range 0 ... 100 to 0 ... 5750 mm
- Absolute position measurement
- Easy installation with mounting brackets
- Wire-free position magnet
- Contact-free
- Also available with guided position magnet
- Analog output



Specifications	Output	Voltage Current
	Resolution	Refer to output specification
	Sampling rate	Up to 1 kHz, depending on the measurement range
	Linearity	Ranges >500 mm: L10 = ±0.10 % f.s. L02 = ±0.02 % f.s. Ranges ≤500 mm: L10 = ±0.5 mm L02MM = ±0.2 mm
	Repeatability	±3 µm
	Housing material	AlMgSi1 / Zn / V4A
	Protection class	IP67/69K (connector version: with IP67/69K mating connector only)
	Shock	EN 60068-2-27:1993, 50 g 11 ms, 100 shocks
	Vibration	EN 60068-2-6:1995, 20 g 10 Hz-2 kHz, 10 cycles
	Connection	8 pin socket M12 / cable 2 m (standard)
EMC, temperature	Refer to output specification	

Order Code PCQA24
1 channel,
industry standard

Model name

Measurement range (in mm)

100 ... 5750 in 10 mm increments
Other ranges on request

Output single channel

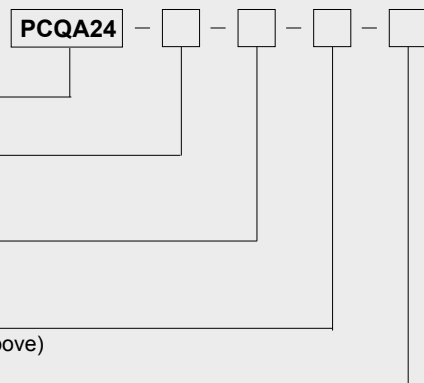
10V = 0 ... 10 V signal conditioner
420T = 4 ... 20 mA signal conditioner, 3 wire

Linearity

L02 / L02MM / L10 (for definition see "Specifications" above)

Connection

M12 = Connector M12, 8 pin
KAB2M = Cable, standard length 2 m, other lengths upon request



Order code mounting set (see page 22)

PCQA-BFS1

Order code position magnet/slider (see page 23)

PCMAG ...

Order code mating connecting cable (see page 77)

KAB-...M-M12/8F/G-LITZE

Order example: PCQA24 - 2500 - 10V - L10 - M12

Order Code PCQA24

1 or 2 channel,
configurable

PCQA24 - [] - [] - [] - [] - [] - []

Model name

Measurement range (in mm)

100 ... 5750 in 10 mm increments

Output

- U1 = 0 ... 10 V signal conditioner
- U2 = 0.5 ... 10 V signal conditioner
- U3 = 0 ... 5 V signal conditioner
- I1 = 4 ... 20 mA signal conditioner (3 wire)

Function and characteristics output 1

- P1A = Position magnet 1, increasing
- P1D = Position magnet 1, decreasing
- PMU = Start value, direction & end value adjustable by the customer (1 channel only)
- DA = Difference magnet 1/2, increasing (2 magnets required)
- DD = Difference magnet 1/2, decreasing (2 magnets required)

Function and characteristics output 2 (option)

- P2A = Position magnet 2, increasing
 - P2D = Position magnet 2, decreasing
 - DA = Difference magnet 1/2, increasing
 - DD = Difference magnet 1/2, decreasing
- } 2 magnets required

VZx.x = Velocity with direction detection (with 1 magnet only)

VZx.x = Velocity in steps of 0.1 m/s

Example: VZ1.5	towards start position	0	towards end position
	-1.5 m/s	0	+1.5 m/s
Output U1:	0 V	5 V	10 V
Output I1:	4 mA	12 mA	20 mA

VAx.x = Velocity without direction detection (with 1 magnet only)

VAx.x = Velocity in steps of 0.1 m/s

Example: VA1.5	towards start position	0	towards end position
	-1.5 m/s	0	+1.5 m/s
Output U1:	10 V	0 V	10 V
Output I1:	20 mA	4 mA	20 mA

Linearity

L02 / L02MM / L10 (for definition see "Specifications" above)

Connection

- M12 = Connector M12, 8 pin
- KAB2M = Cable, standard length 2 m, other lengths upon request

Custom outputs are available upon request.

1. Order example: PCQA24 - 1000 - U1 - P1D - L10 - M12

Square profile, measurement range 1000 mm, 1 voltage output 0 ... 10 V (U1)
Output 1: Position magnet 1, decreasing signal (P1D)
Output 2: Not used

2. Order example: PCQA24 - 1000 - I1 - P1A - P2D - L10 - M12

Square profile, measurement range 1000 mm, 2 current outputs 4 ... 20 mA (I1)
Output 1: Position magnet 1, increasing signal (P1A)
Output 2: Position magnet 2, decreasing signal (P2D)

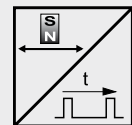
3. Order example: PCQA24 - 1000 - U1 - P1A - VZ1.0 - L10 - M12

Square profile, measurement range 1000 mm, 2 voltage outputs 0 ... 10 V (U1)
Output 1: Position magnet 1, increasing signal (P1A)
Output 2: Velocity magnet 1, -1 m/s ... 1 m/s for range 0 ... 10 V (VZ1.0)



POSICHRON® position sensor in square profile

- Protection class IP67/69K
- Measurement range 0 ... 100 to 0 ... 5750 mm
- Absolute position measurement
- Easy installation with mounting brackets
- Wire-free position magnet
- Contact-free
- Also available with guided position magnet
- Multi-magnet operation
- Pulse output (start/stop)



Specifications		
Output		Pulse output (start/stop)
Resolution		Essentially infinite
Sampling rate		Up to 1 kHz, depending on the measurement range
Linearity		Ranges >500 mm: L10 = ±0.10 % f.s. L02 = ±0.02 % f.s. Ranges ≤500 mm: L10 = ±0.5 mm L02MM = ±0.2 mm
Repeatability		±3 µm
Housing material		AlMgSi1 / Zn / V4A
Protection class		IP67/69K (connector version: with IP67/69K mating connector only)
Shock		EN 60068-2-27:1993, 50 g 11 ms, 100 shocks
Vibration		EN 60068-2-6:1995, 20 g 10 Hz-2 kHz, 10 cycles
Connection		8 pin socket M12 / cable 2 m (standard)
EMC, temperature		Refer to output specification

Order Code PCQA24

Model name

Measurement range (in mm)

100 ... 5750 in 10 mm increments
Other ranges on request

Output

STSP = Pulse output (start/stop)

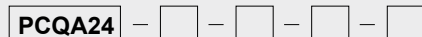
Linearity

L02 / L02MM / L10 (for definition see "Specifications" above)

Connection

M12 = Connector M12, 8 pin

KAB2M = Cable, standard length 2 m, other lengths upon request



Order code mounting set (see page 22)

PCQA-BFS1

Order code position magnet/slider (see page 23)

PCMAG ...

Order code mating connecting cable (see page 77)

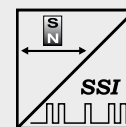
KAB-...M-M12/8F/G-LITZE

Order example: PCQA24 - 1000 - STSP - L10 - M12



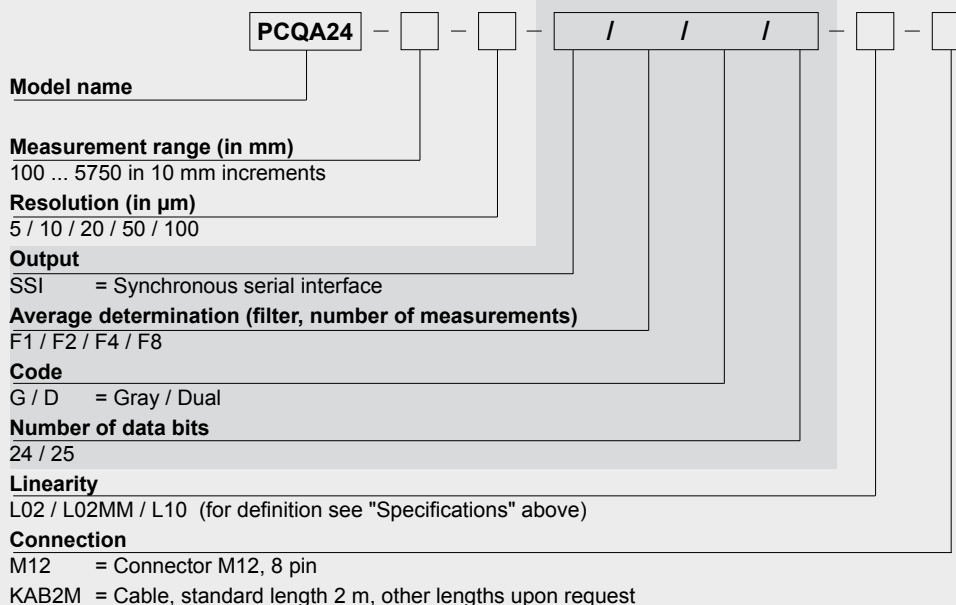
POSICHRON® position sensor in square profile

- Protection class IP67/69K
- Measurement range 0 ... 100 to 0 ... 5750 mm
- Absolute position measurement
- Easy installation with mounting brackets
- Wire-free position magnet
- Contact-free
- Also available with guided position magnet
- Synchronous serial interface (SSI)



Specifications		
Output		Synchronous serial interface (SSI)
Resolution		5, 10, 20, 50, 100 µm
Sampling rate		Up to 1 kHz, depending on the measurement range
Linearity		Ranges >500 mm: L10 = ±0.10 % f.s. L02 = ±0.02 % f.s. Ranges ≤500 mm: L10 = ±0.5 mm L02MM = ±0.2 mm
Repeatability		±3 µm
Housing material		AlMgSi1 / Zn / V4A
Protection class		IP67/69K (with mating connector only)
Shock		EN 60068-2-27:1993, 50 g 11 ms, 100 shocks
Vibration		EN 60068-2-6:1995, 20 g 10 Hz-2 kHz, 10 cycles
Connection		8 pin socket / cable 2 m (standard)
EMC, temperature		Refer to output specification

Order Code PCQA24



Order code mounting set (see page 22)

PCQA-BFS1

Order code position magnet/slider (see page 23)

PCMAG ...

Order code mating connecting cable (see page 77)

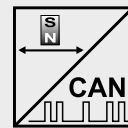
KAB-...M-M12/8F/G-LITZE

Order example: PCQA24 - 2500 - 10 - SSI/F8/G/24 - L10 - M12



POSICHRON® position sensor in square profile

- Protection class IP67/69K
- Measurement range 0 ... 100 to 0 ... 5750 mm
- Absolute position measurement
- Easy installation with mounting brackets
- Wire-free position magnet
- Contact-free
- Also available with guided position magnet
- CANopen bus



Specifications		
Output		CANopen bus
Resolution		50 µm
Sampling rate		Up to 1 kHz, depending on the measurement range
Linearity		Ranges >500 mm: L10 = ±0.10 % f.s. L02 = ±0.02 % f.s. Ranges ≤500 mm: L10 = ±0.5 mm L02MM = ±0.2 mm
Repeatability		±3 µm
Housing material		AlMgSi1 / Zn / V4A
Protection class		IP67/69K (with mating connector only)
Shock		EN 60068-2-27:1993, 50 g 11 ms, 100 shocks
Vibration		EN 60068-2-6:1995, 20 g 10 Hz-2 kHz, 10 cycles
Connection		5 pin socket M12
EMC, temperature		Refer to output specification

Order Code PCQA24

PCQA24 - [] - [] - [] - []

Model name _____

Measurement range (in mm)
 100 ... 5750 in 10 mm increments
 Other ranges on request

Output
 CANOP = CANopen bus
 CANOP/RT = CANopen bus with integrated terminating resistor

Linearity
 L02 / L02MM / L10 (for definition see "Specifications" above)

Connection
 M12A5 = Connector M12, 5 pin

Order code mounting set (see page 22)

PCQA-BFS1

Order code position magnet/slider (see page 23)

PCMAG ...

Order code bus cable (see page 79)

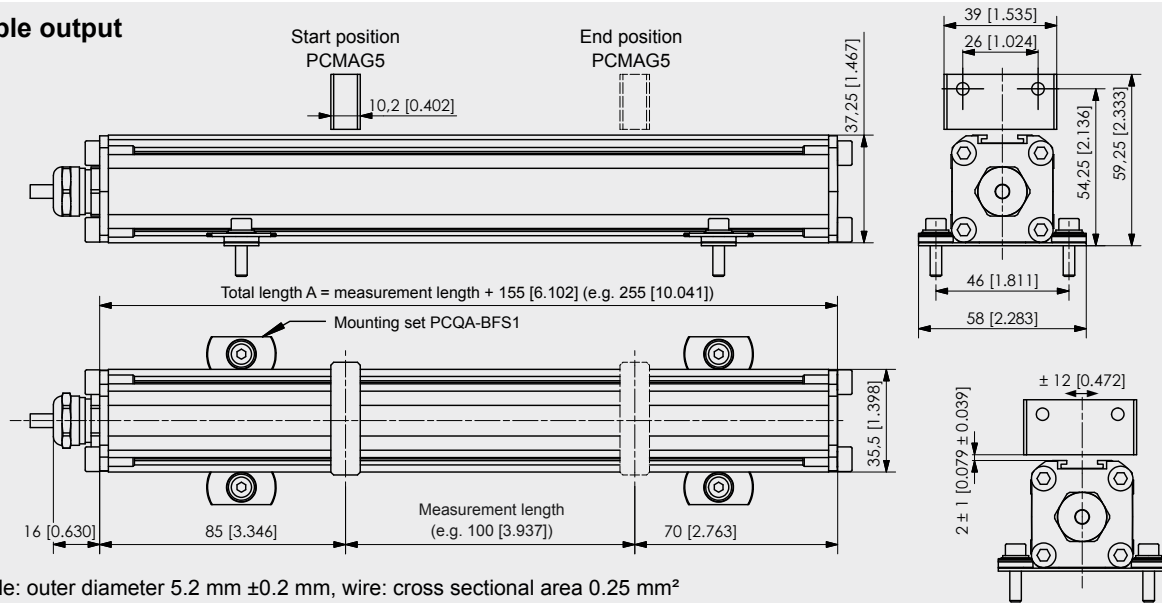
KAB-...M-M12/5F/G-M12/5M/G

Order example: PCQA24 - 1000 - CANOP - L10 - M12A5

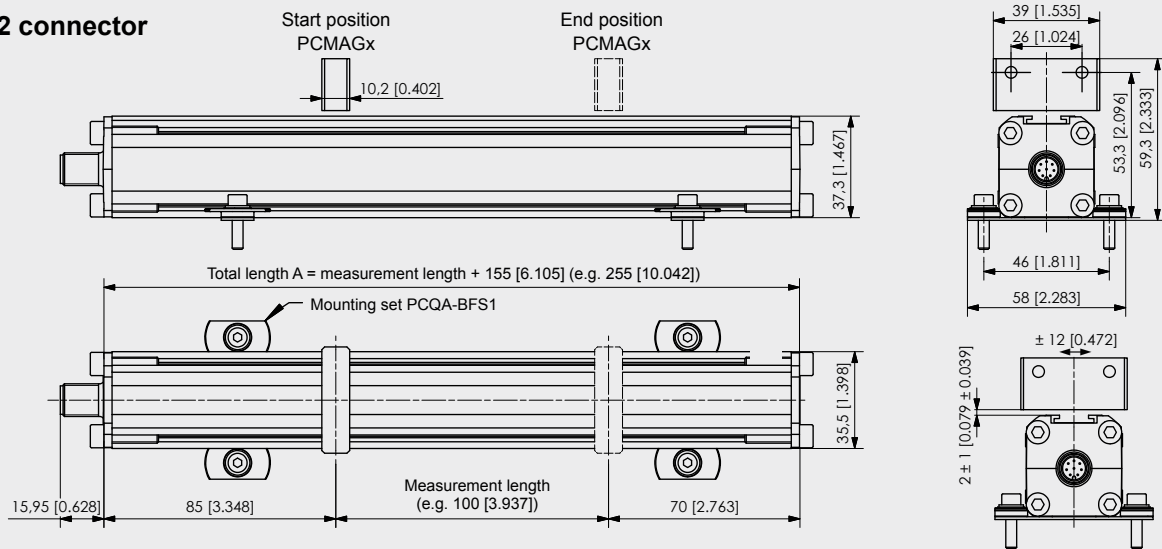
POSICHRON[®] PCQA24 Square Profile Housing



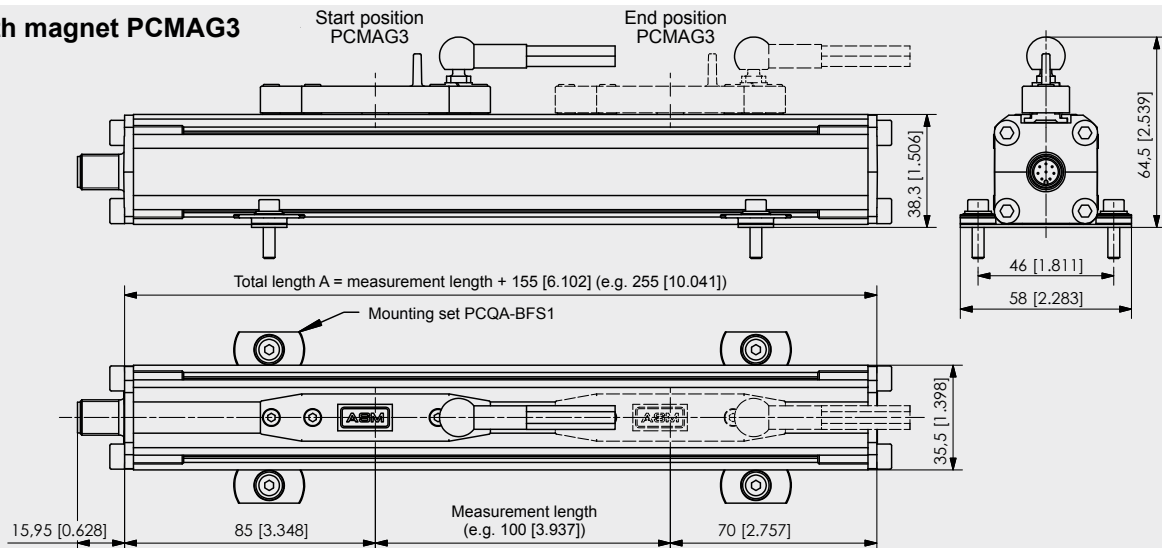
Cable output



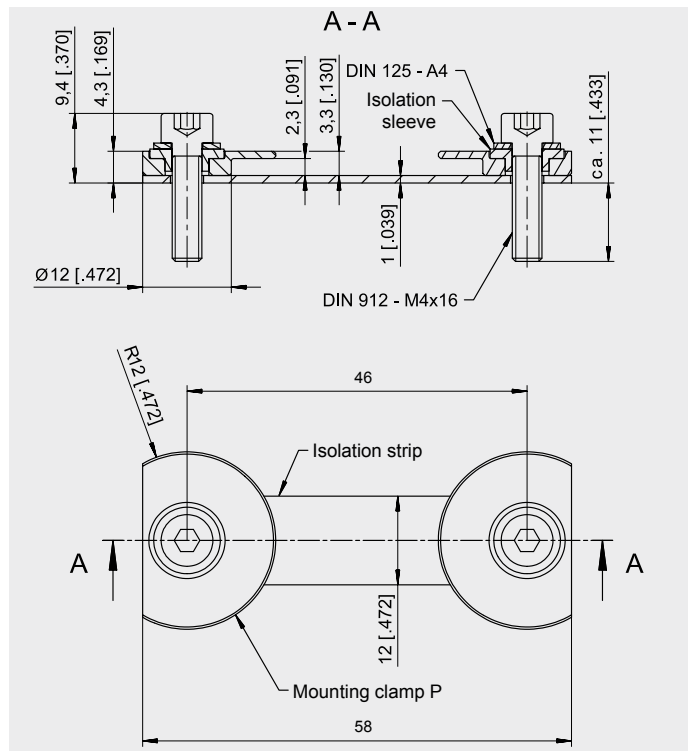
M12 connector



With magnet PCMAG3

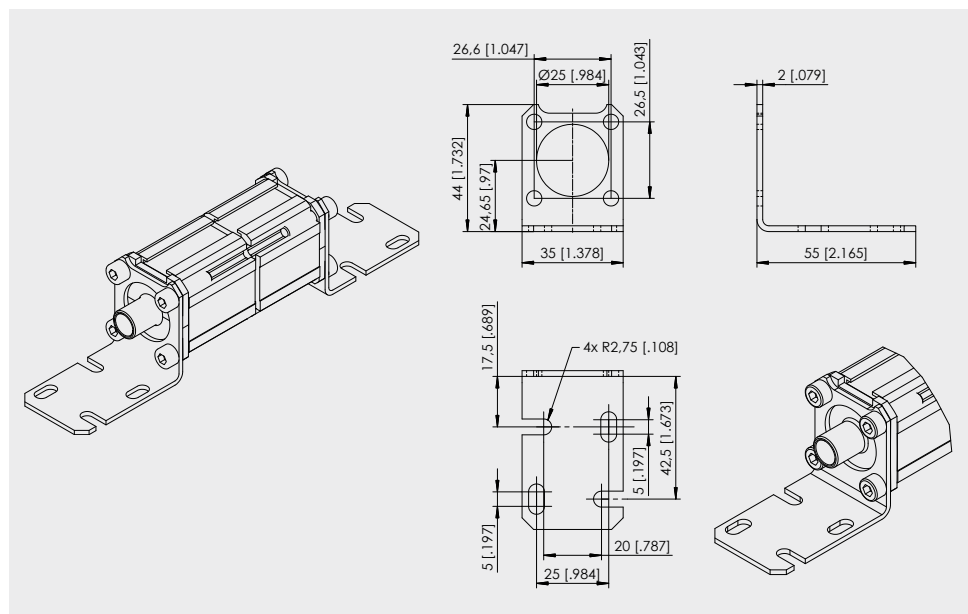


**Mounting set
 PCQA-BFS1 with
 mounting clamps**



**Option -BFW
 Mounting brackets
 for PCQA22 to
 PCQA24**

Note: The option -BFW can only be ordered with a new sensor, not separately! Applicable for sensor lengths up to 1000 mm.



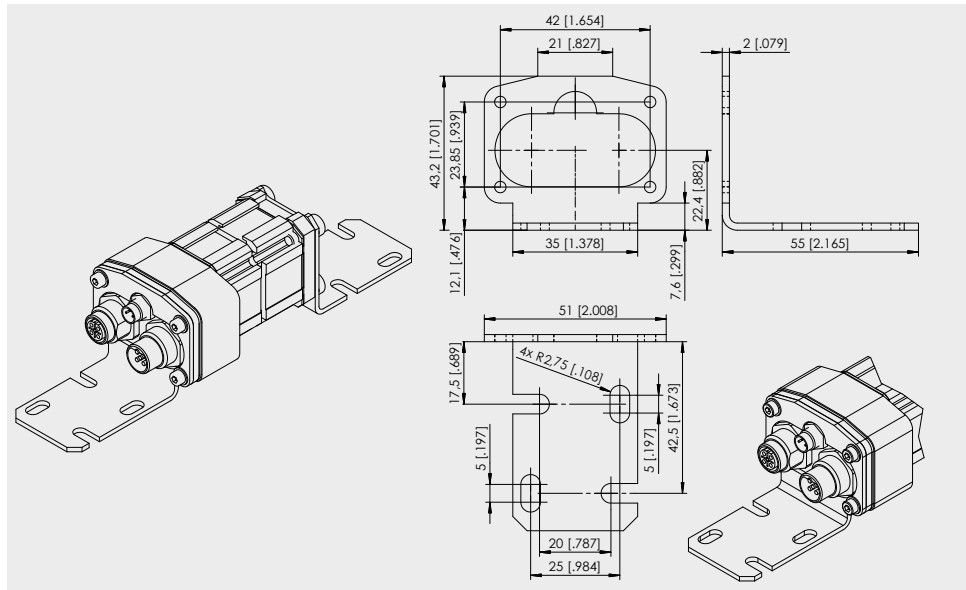
Dimensions in mm [inch]
 Dimensions informative only.
 For guaranteed dimensions consult factory.

Order example: PCQA24 - 1000 - STSP - L10 - M12 - BFW

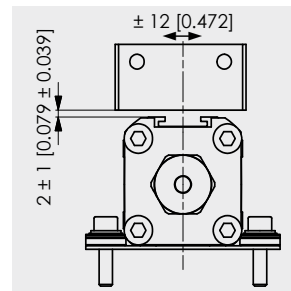
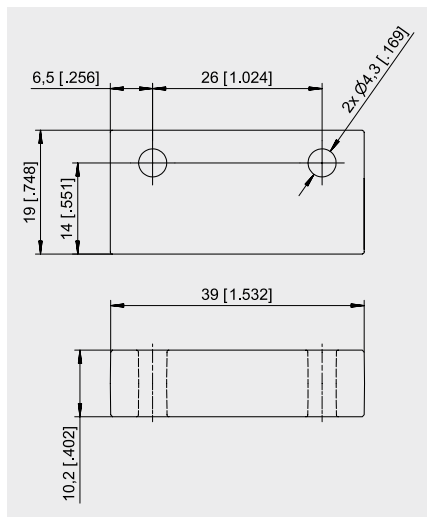
POSICHRON®
PCQA
Mounting Sets - Magnets



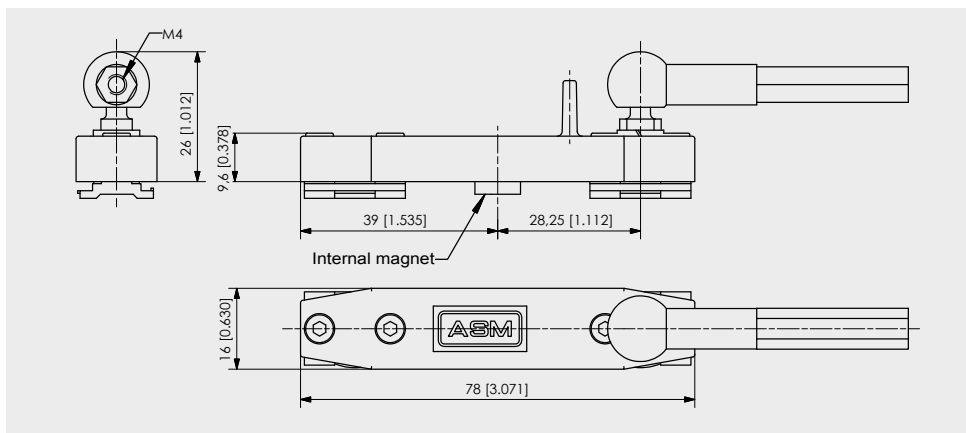
Option -BFW
Mounting brackets
for PCQA23
 (continuation)



PCMAG5
 Standard magnet



PCMAG3
 Guided magnet
 slider with internal
 position magnet



Dimensions in mm [inch]

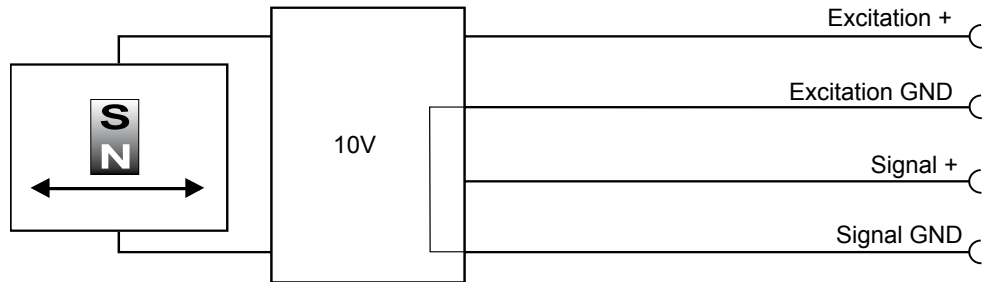
Dimensions informative only.
 For guaranteed dimensions consult factory.

POSICHRON® Output Specification 10V and 420T Industry Standard



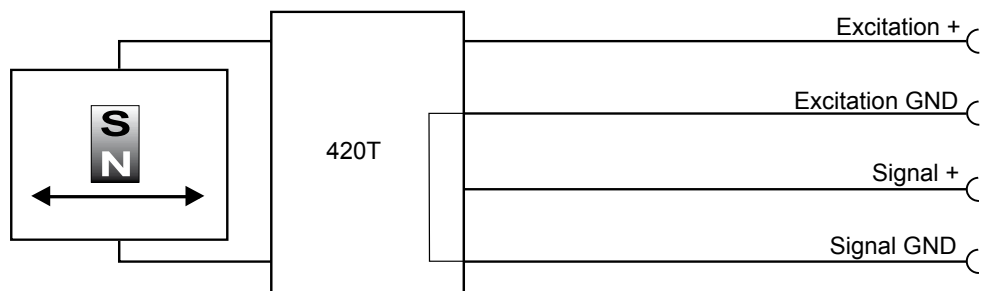
Signal conditioner 10V Voltage output 	Excitation voltage	18 ... 27 V DC (18 ... 36 V DC as option)
	Excitation current	Typ. 50 mA, 80 mA max.
	Output voltage	0 ... 10 V DC
	Output current	2 mA max.
	Output load	> 5 kΩ
	Resolution	Essentially infinite
	Stability (temperature)	$\pm 50 \times 10^{-6} / ^\circ\text{C}$ f.s.
	Protection	Reverse polarity, short circuit
	Output noise	0.5 mV _{RMS}
	Operating temperature	-40 ... +85 °C
Immunity to interference (EMC)	According to EN 61326:2004	

Signal diagram



Signal conditioner 420T Current output (3 wire) 	Excitation voltage	18 ... 27 V DC (18 ... 36 V DC as option)
	Excitation current	Typ. 70 mA, 80 mA max.
	Load resistor	350 Ω max.
	Output current	4 ... 20 mA, 30 mA max. (at failure)
	Resolution	Essentially infinite
	Stability (temperature)	$\pm 50 \times 10^{-6} / ^\circ\text{C}$ f.s.
	Protection	Reverse polarity, short circuit
	Output noise	0.5 mV _{RMS}
	Operating temperature	-40 ... +85 °C
	Immunity to interference (EMC)	According to EN 61326:2004

Signal diagram

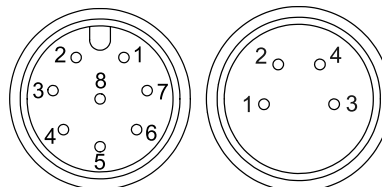


Signal wiring	Output signals 10V, 420T	Connector pin	Cable output color * (not for PCST27 and PCR32)
	Excitation +	1	white
	Excitation GND	2	brown
	Signal +	3	green
	Signal GND	4	yellow

Connection

Mating connector

View to
sensor
connector



CONN-M12-8M

CONN-M8-4M

*** Please note the different colors of the assembled accessory cable!**

POSICHRON®

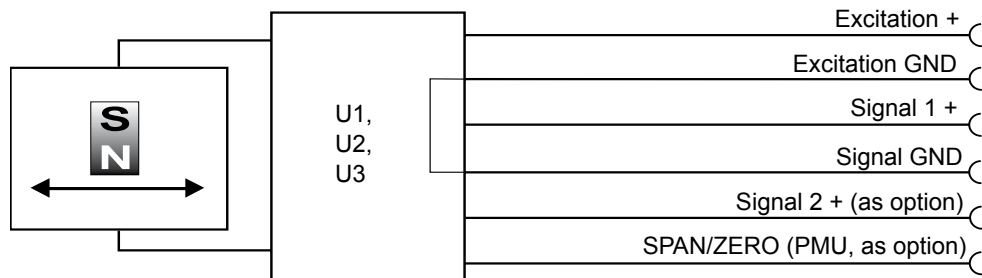
Output Specification U1, U2, U3 and I1

Configurable, 1 or 2 channels



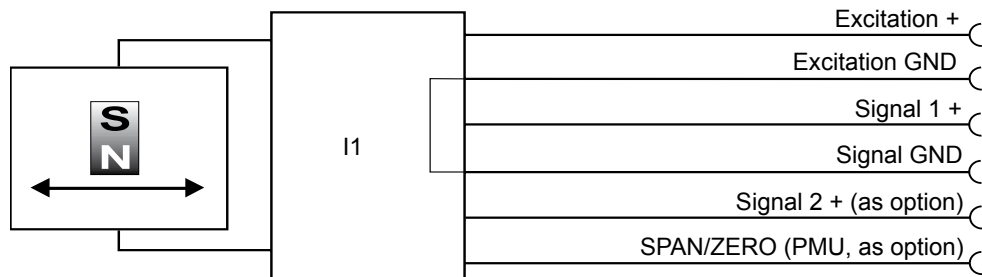
Signal conditioner U1, U2, U3 Voltage output 	Excitation voltage	18 ... 27 V DC
	Excitation current	Typ. 35 mA, 80 mA max.
	Output voltage	U1: 0 ... 10 V; U2: 0.5 ... 10 V; U3: 0 ... 5 V
	Output current	2 mA max.
	Output load	> 5 kΩ
	Resolution	16 bit
	Stability (temperature)	$\pm 50 \times 10^{-6} / ^\circ\text{C}$ f.s.
	Protection	Reverse polarity, short circuit
	Output noise	0.5 mV _{RMS}
	Operating temperature	-40 ... +85 °C
Immunity to interference (EMC)	According to EN 61326:2004	

Signal diagram



Signal conditioner I1 Current output (3 wire) 	Excitation voltage	18 ... 27 V DC
	Excitation current	Typ. 60 mA, 80 mA max.
	Load resistor	350 Ω max.
	Output current	4 ... 20 mA, 30 mA max (at failure)
	Resolution	16 bit
	Stability (temperature)	$\pm 50 \times 10^{-6} / ^\circ\text{C}$ f.s.
	Protection	Reverse polarity, short circuit
	Output noise	0.5 mV _{RMS}
	Operating temperature	-40 ... +85 °C
	Immunity to interference (EMC)	According to EN 61326:2004

Signal diagram



Signal wiring	Output signals U1, U2, U3, I1	Connector pin	Cable output, wire color (not for PCST27 and PCR32)
	Excitation +	1	white
	Excitation GND	2	brown
	Signal 1 +	3	green
	Signal GND	4	yellow
	Signal 2 + (as option *)	5	grey
	SPAN/ZERO (PMU **, as option)	6	pink

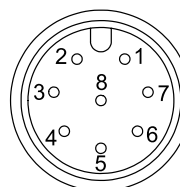
* When using multiple magnets the distance between two magnets must be min. 70 mm to identify the single magnets definitely.

** Description page 59

Connection

Mating connector

View to
sensor
connector

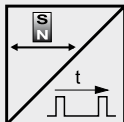


CONN-M12-8M

POSICHRON® Output Specification Pulse Interface STSP

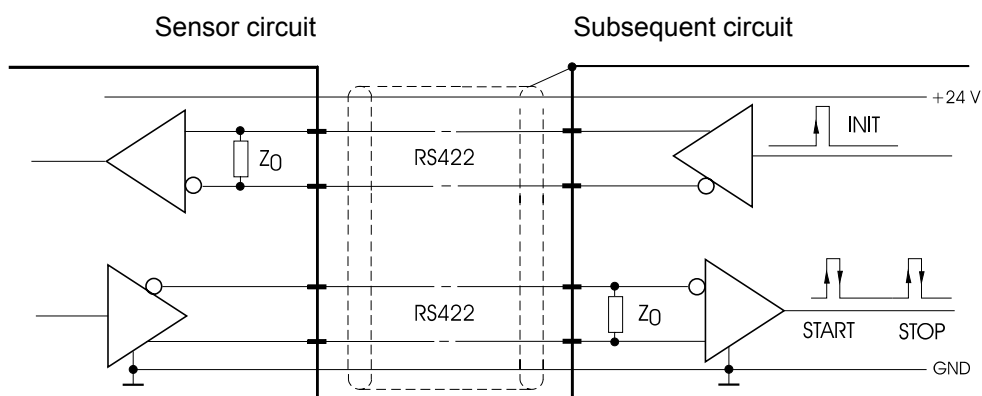


Pulse interface STSP

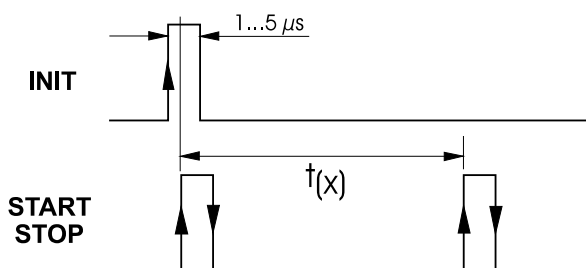


Excitation voltage	18 ... 27 V DC, residual ripple 10 mV _{SS}
Excitation current	Typ. 60 mA, 150 mA max.
Stability (temperature)	±50 x 10 ⁻⁶ / °C f.s.
Wave velocity v _s	2600 ... 2900 m/s
Level INIT and START/STOP	RS422
Protection	Reverse polarity, short circuit
Operating temperature	-40 ... +85 °C
EMC	According to EN 61326:2004

Signal diagram



The subsequent circuit generates a request pulse via the INIT line. The position sensor responds with a START and a STOP signal.



To calculate the position value the time interval $t_{(x)}$ must be multiplied with the conversion factor v_s specified on the type label.

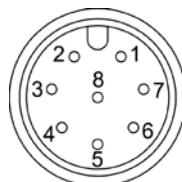
$$\text{Position value } x = t_{(x)} \cdot v_s$$

When using multiple magnets every single magnet generates its own STOP signal. To identify the single magnets definitely the distance between two magnets must be min. 70 mm.

Signal wiring	Pulse interface	Connector pin	Cable output color (not for PCST27 and PCRP32)
Excitation +		1	white
Excitation GND		2	brown
INIT		3	green
INIT		4	yellow
STSP		5	grey
STSP		6	pink

Connection Mating connector

View to sensor
connector



CONN-M12-8M

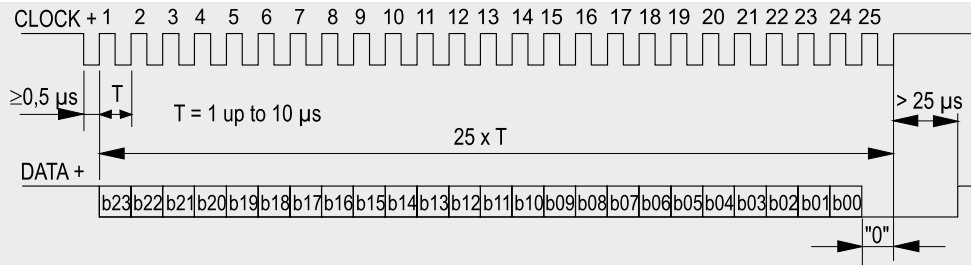
POSICHRON® Output Specification SSI



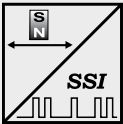
Description

The data transmission takes place by means of the two signals CLOCK and DATA. The processing unit (PLC, microcomputer) sends pulse sequences which clock the data transmission at the required transfer rate. With the first falling edge of the pulse sequence the position of the sensor is recorded and stored. The following rising edges control the bit-by-bit transfer of the data word. After a delay time the next new position information can be transmitted.

Data format (Train of 26 pulses)

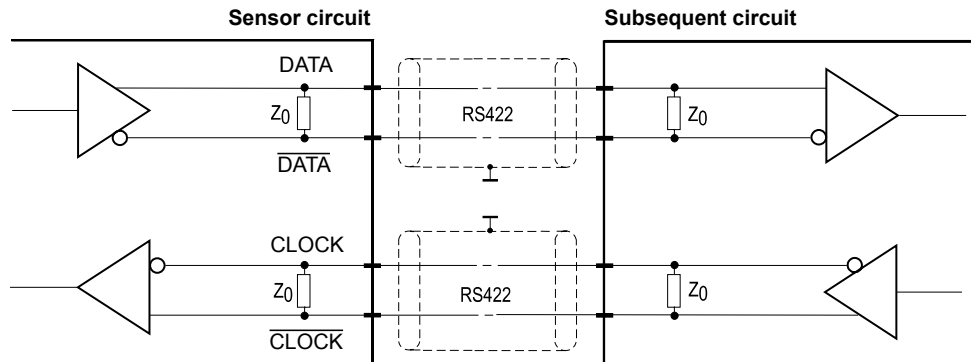


Synchronous serial interface SSI



Output	RS422
Excitation voltage	18 ... 27 V DC, residual ripple 10 mV _{SS}
Excitation current	Typ. 80 mA, 150 mA max.
Clock frequency	100 kHz ... 1 MHz
Code	Gray code, dual code
Resolution	≥ 5 μm
Delay between pulse trains	>25 μs
Filter	Average determination, see page 59
Stability (temperature)	±50 x 10 ⁻⁶ / °C f.s.
Operating temperature	-40 ... +85 °C
Immunity to interference EMC	According to EN 61326:2004

Signal diagram



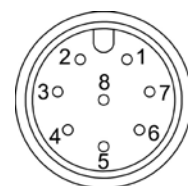
Cable length	Baud rate
50 m	100-1000 kHz
100 m	100-300 kHz

Note:
Extension of the cable length will reduce the maximum transmission rate.
The signals CLOCK/CLOCK and DATA/DATA must be connected in a twisted pair cable, common shielded.

Signal wiring

Signal name	Connector pin	Cable output color (not for PCST27 and PCR32)
Excitation +	1	white
Excitation GND	2	brown
CLOCK	3	green
CLOCK	4	yellow
DATA	5	grey
DATA	6	pink

View to sensor connector



CONN-M12-8M

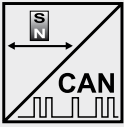
POSICHRON® Output Specification CANopen

PRELIMINARY



Description

CANopen interface with process data for position and cam functions, programmable are preset, resolution, filtering and cam switching points.

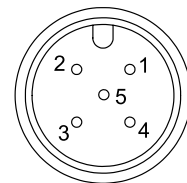
Interface CANOP 	Communication profile	CANopen CiA 301 V 4.02, Slave
	Encoder profile	Encoder CiA 406 V 3.2
	Error Control	Node Guarding, Heartbeat, Emergency Message
	Node ID	Adjustable via LSS or via object dictionary
	PDO	4 TxPDO, 0 RxPDO, no linking, static mapping
	PDO Modes	Event-/Time triggered, Remote-request, Sync cyclic/acyclic
	SDO	1 server, 0 client
	CAM	2 cams
	Certified	Yes
	Transmission rates	50 kBaud to 1 MBaud, adjustable via LSS or via object dictionary
	Nodes	127 max.
	Bus connection	M12 connector, 5 pins
	Integrated bus terminating resistor	As option (output CANOP/RT)
Bus, galvanic isolated	No	

Specifications	Excitation voltage	18 ... 36 V DC
	Excitation current	Max. 100 mA
	Number of position magnets	1 ... 4
	Resolution	50 µm
	Measuring rate	1 kHz (asynchronous)
	Stability (temperature)	±50 x 10 ⁻⁶ / °C f.s.
	Repeatability	1 LSB
	Operating temperature	-40 ... +85 °C
	Protection	Reverse polarity, short circuit
	Dielectric strength	1 kV (V AC, 50 Hz, 1 min.)
	Environment - EMC Automation	EN 61326:2004

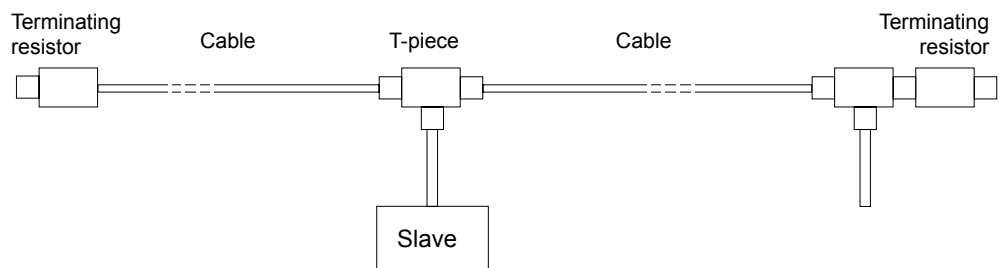
When using multiple magnets the distance between two magnets must be min. 70 mm to identify the single magnets definitely.

Signal wiring / connection	Signal name	Connector pin (color)
	Shield	1 (grey)
	Excitation +	2 (white)
	GND	3 (brown)
	CAN-H	4 (green)
	CAN-L	5 (yellow)

View to sensor connector



CAN bus wiring



POSICHRON® Accessories Connector Cables



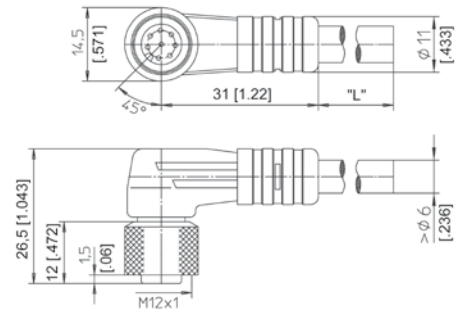
**Connector cable for
POSICHRON®
position sensors**
8 pin M12

The 8-lead shielded cable is supplied with a mating 8-pin 90° M12 connector at one end and 8 wires at the other end. Available lengths are 2, 5 and 10 m. Wire: cross sectional area 0.14 mm².

Order code:

KAB - XM - M12/8F/W - LITZE
IP69K: KAB - XM - M12/8F/W/69K - LITZE

Length in m



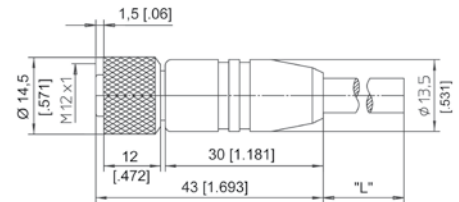
**Connector cable for
POSICHRON®
position sensors**
8 pin M12

The 8-lead shielded cable is supplied with a mating 8-pin M12 connector at one end and 8 wires at the other end. Available lengths are 2, 5 and 10 m. Wire: cross sectional area 0.14 mm².

Order code:

KAB - XM - M12/8F/G - LITZE
IP69K: KAB - XM - M12/8F/G/69K - LITZE

Length in m



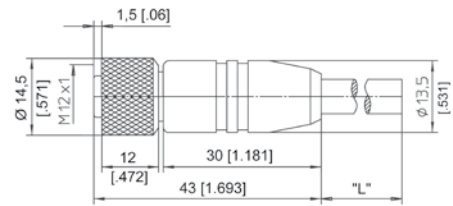
Connector cable wiring - M12, 8 pin	Connector pin / cable color							
	1	2	3	4	5	6	7	8
	White	Brown	Green	Yellow	Grey	Pink	Blue	Red

POSICHRON® Accessories Connector Cables



Connector/bus cable for POSICHRON® position sensors
5 pin M12
CAN bus/DeviceNet

The 5-lead shielded cable is supplied with a female 5-pin M12 connector at one end and a male 5-pin M12 connector at the other end. Available lengths are 0.3, 2, 5 and 10 m.

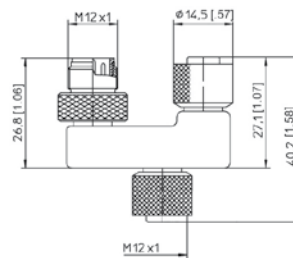


Order code:

KAB - XM - M12/5F/G - M12/5M/G
IP69K: KAB - XM - M12/5F/G/69K - M12/5M/G/69K
 Length in m ↑

T-piece for bus cable
5 pin M12
CAN bus/DeviceNet

KAB - TCONN - M12/5M - 2M12/5F



Terminating resistance
5 pin M12
CAN bus/DeviceNet

KAB - RTERM - M12/5M/G



Cable set for POSICHRON® position sensors PROFIBUS

The cable set consists of one cable each of the following type :

- Cable set 1: Bus input, bus output, sensor excitation
- Cable set 2: Bus input, terminating resistor, sensor excitation

Available lengths are 2, 5 and 10 m

Order Code:

KABS1-PCQA23-PROF-XM-LITZE
 Length in m ↑

KABS2-PCQA23-PROF-XM-LITZE
 Length in m ↑

Separate cables on request.