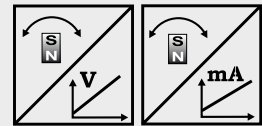


# POSIROT® PRAS2 Magnetic Angle Sensor with Analog Output



**Magnetic angle sensor 0 - 360 degrees in a flat housing with 36 mm dia.**

- Protection class IP67/IP69K
- Non-contact with external position magnet
- Wear free
- Flat housing – 20 mm thickness
- Outputs:  
Voltage 0.5 ... 4.5 V, 0.5 ... 10 V  
Current 4 ... 20 mA
- Redundant second channel as option



Specifications	Outputs	Voltage: 0.5 ... 4.5 V; 0.5 ... 10 V Current: 4 ... 20 mA, 3 wire
Resolution	0.03 % (60 ... 360); 0.1 % (15 ... 45°)	
Repeatability	±0.03 % (60 ... 360°); ±0.1 % (15 ... 45°)	
Linearity	±0.3 % f.s. (typ.); a misalignment of the position magnet has an effect on the linearity (see page 30)	
Measurement range	0 ... 15° to 0 ... 360°, standard 360°	
Signal characteristics	CW, CCW	
Rated distance sensor / magnet	Depending on the position magnet, see page 30	
Material	Aluminium / stainless steel / zinc (depends on the model)	
Mounting	Clamps, mounting plate	
Protection class	IP67/IP69K (connector output with IP69K connector cable) IP67 (cable output, option IP67/IP69K)	
Shock	EN 60068-2-27:1993, 100 g/11 ms, 100 shocks	
Vibration	EN 60068-2-6:1995, 20 g 10 Hz-2 kHz, 10 cycles	

## Order Code PRAS2



### Model name

### Measurement range 15 ... 360° in steps of 15°

15 / 30 / 45 / ... / 345 / 360

### Output (see page 26)

U6 = 0.5 ... 4.5 V ratiometric

U2 = 0.5 ... 10 V

I1 = 4 ... 20 mA, 3 wire

### Signal characteristics

CW = Signal increasing CW

CCW = Signal increasing CCW

### Connection

KAB2M = Cable, standard length 2 m, IP67

KAB2M69K = Cable, standard length 2 m, IP67/IP69K

M12A5 = 5-pin socket M12 axial (compatible with 4-pin connector)

M12R5 = 5-pin socket M12 radial (compatible with 4-pin connector), (in preparation)

Order code mounting clamps (set of 3 pieces)

**PRPT-BFS1**

Order code position magnet (see accessories page 30)

**PRMAG ...**

Order code connector cable (see accessories page 32)

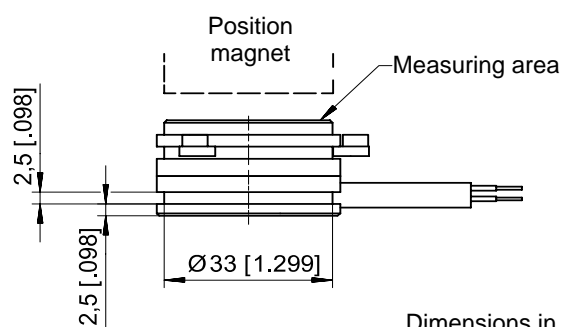
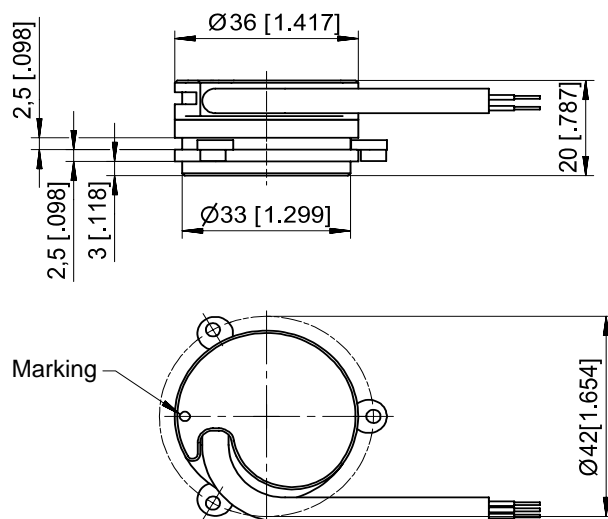
**KAB-2M-M12/4F/G-LITZE**

**Order example: PRAS2 - 360 - I1 - CW - KAB2M**

# POSIROT® PRAS2/PRDS2 Dimensions



Outline drawing  
sensor with cable  
output

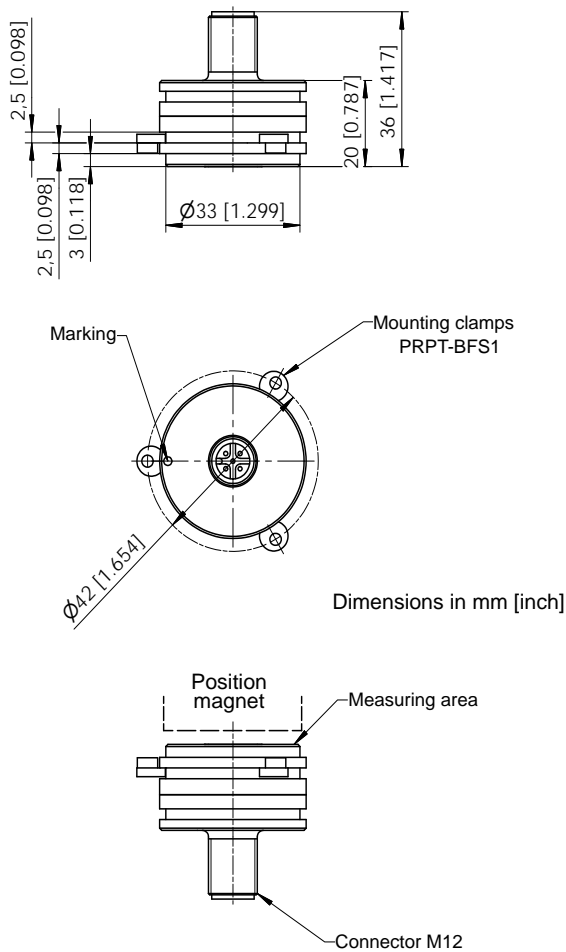


Weight without cable approx. 40 g.  
Dimensions informative only.  
For guaranteed dimensions please consult factory.

# POSIROT® PRAS2/PRDS2 Dimensions



## Outline drawing sensor M12 axial

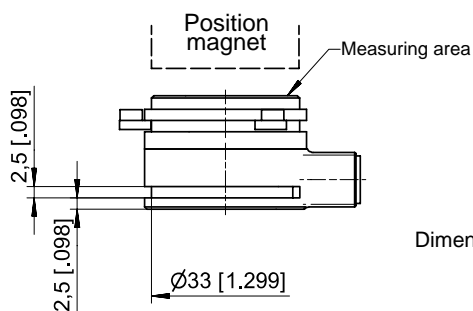
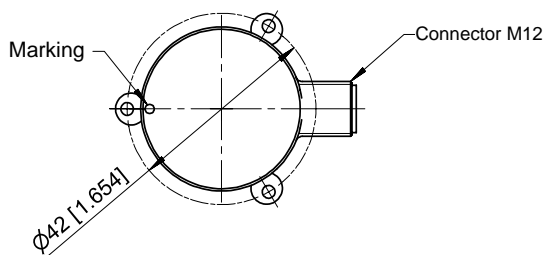
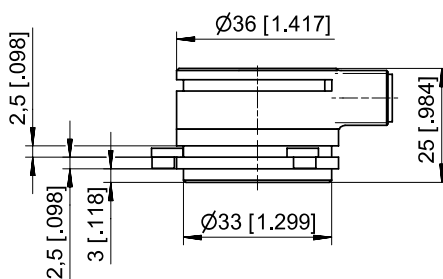


Weight without cable approx. 50 g.  
Dimensions informative only.  
For guaranteed dimensions please consult factory.

# POSIROT® PRAS2/PRDS2 Dimensions



## Outline drawing sensor M12 radial



Dimensions in mm [inch]

Ask factory for availability

Weight without cable approx. 50 g.

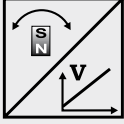
Dimensions informative only.

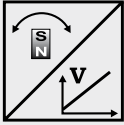
For guaranteed dimensions please consult factory.

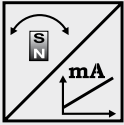
# POSIROT<sup>®</sup> – PRAS, POSITILT<sup>®</sup> – PTAS

## Outputs U2(B), U6 and I1(B)



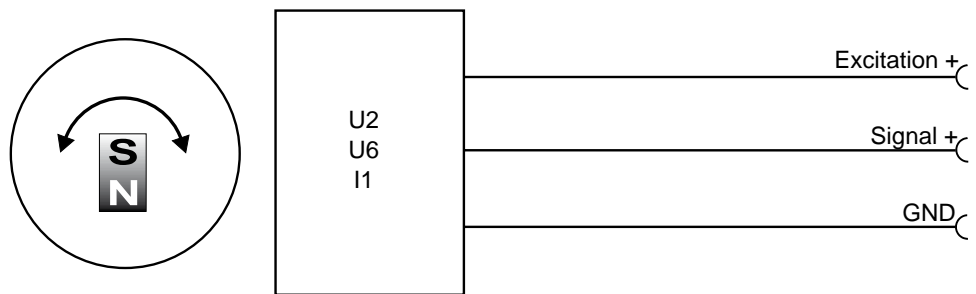
<b>U2 / U2B</b> Voltage Output 0.5 ... 10 V 	Excitation voltage	U2: 18 ... 36 V DC; U2B: 11.5 ... 27 V DC
	Excitation current	40 mA max.
	Output voltage	0.5 ... 10 V DC
	Output current	2 mA max.
	Measuring rate	1 kHz standard
	Stability (temperature)	±50 x 10 <sup>-6</sup> / °C f.s. (typ.) for 90°...360° ±100 x 10 <sup>-6</sup> / °C f.s. (typ.) for <90°
	Operating temperature	-40 ... +85 °C (+105 °C as option)
	Protection	Reverse polarity, short circuit
	EMC	According to EN 61326:2004

<b>U6 = U6/5 / U6/8,25</b> Voltage Output 10 ... 90 % ratiometric 	Excitation voltage	5V DC ±10 % / 8.25 V DC ±10 %
	Excitation current	40 mA max.
	Output voltage	10 ... 90 % of the excitation voltage
	Output current	2 mA max.
	Measuring rate	1 kHz standard
	Stability (temperature)	±50 x 10 <sup>-6</sup> / °C f.s. (typ.) for 90°...360° ±100 x 10 <sup>-6</sup> / °C f.s. (typ.) for <90°
	Operating temperature	-40 ... +85 °C (+125 °C as option)
	Protection	Reverse polarity, short circuit
	EMC	According to EN 61326:2004

<b>I1 / I1B</b> Current Output 4 ... 20 mA 	Excitation voltage	I1: 18 ... 36 V DC; I1B: 10 ... 18 V DC
	Excitation current	60 mA max.
	Load resistor	I1: 500 Ω max.; I1B: 250 Ω max.
	Output current	4 ... 20 mA
	Measuring rate	1 kHz standard
	Stability (temperature)	±50 x 10 <sup>-6</sup> / °C f.s. (typ.) for 90°...360° ±100 x 10 <sup>-6</sup> / °C f.s. (typ.) for <90°
	Operating temperature	-40 ... +85 °C
	Protection	Reverse polarity, short circuit
	EMC	According to EN 61326:2004

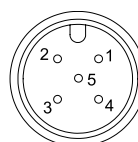
Other outputs available on request.

### Output signals



Signal Wiring	Output signals	Connector pin	Cable color
	Excitation +	1	brown
	Signal	2	white
	GND	3	blue
	Do not connect!	4	black
	Do not connect!	5	-

### Connection



View to sensor connector

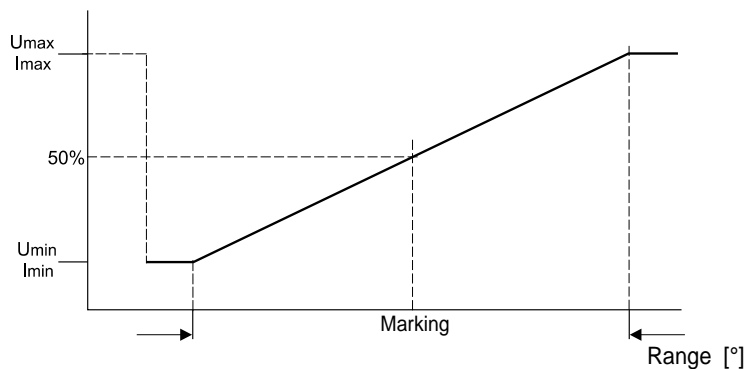
M12A5 / M12R5

# POSIROT<sup>®</sup>

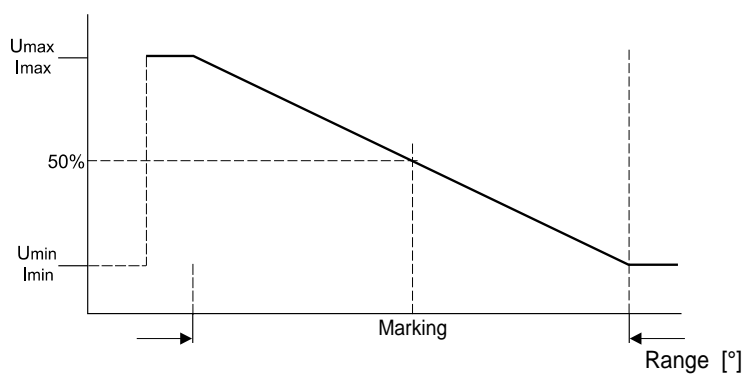
## Characteristics for magnetic angle sensors



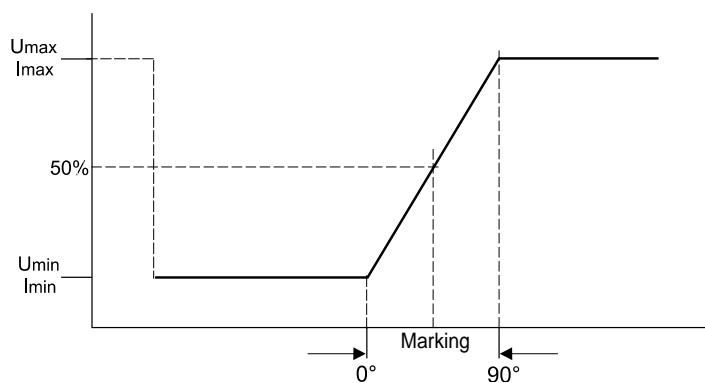
**Output signal**  
(CW increasing)



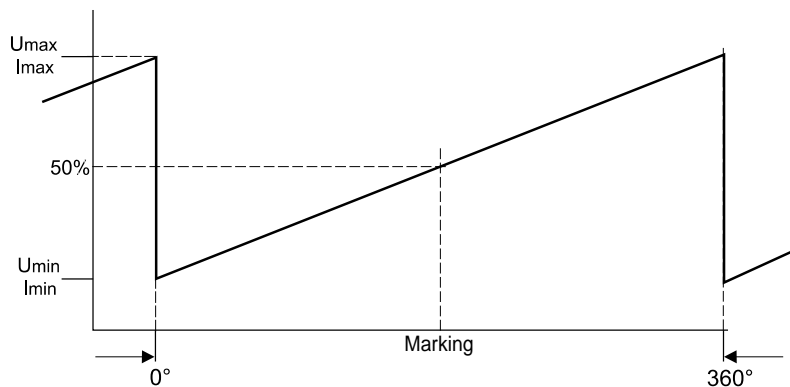
**Output signal**  
(CCW increasing)



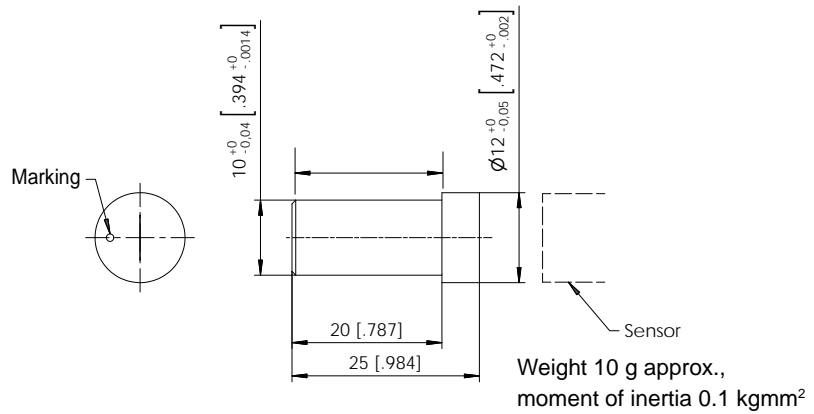
**Example angular range 90°**



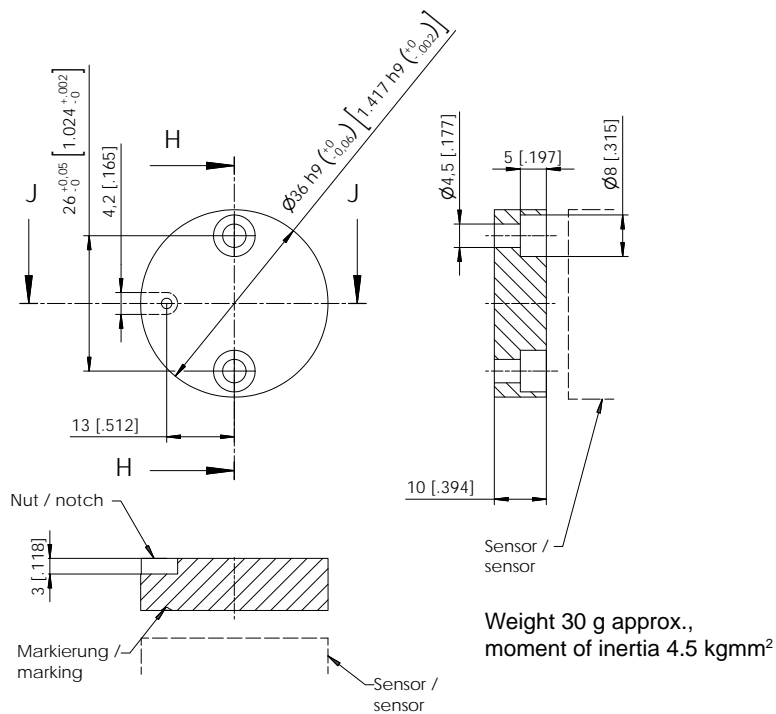
**Example angular range 360°**



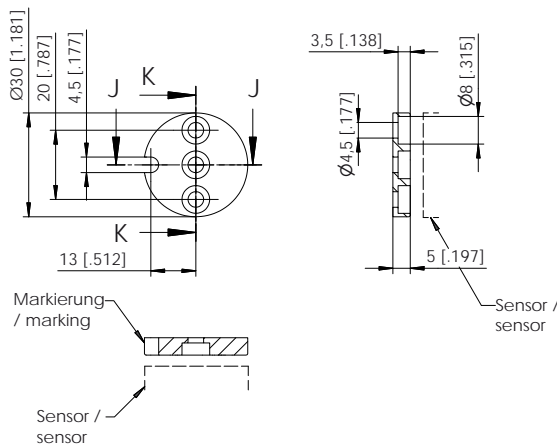
**PRMAG1**  
**PRMAG1-Z**



**PRMAG2**  
**PRMAG2-Z**



**PRMAG20**



Dimensions in mm [inch]

Dimensions informative only  
 For guaranteed dimensions please consult factory

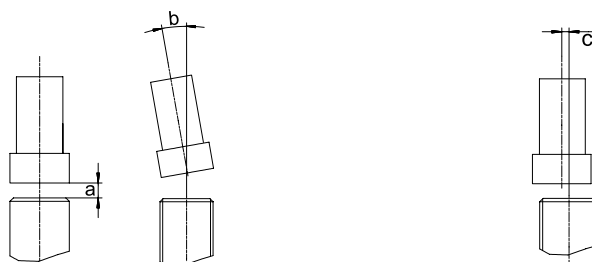
# POSIROT® Accessories Position magnets



Sensor	Position magnet	Air gap [mm]	Paralle- lism [°]	Error by axial misalignment [°]					
				0.2 mm	0.5 mm	1 mm	2 mm	3 mm	4 mm
PRAS1	PRMAG1	0 ... 3.5	5	0.1	0.3	2.0	13.5	–	–
	PRMAG1-Z	0 ... 4.5	5	0.1	0.3	1.5	6.5	–	–
	PRMAG20	0 ... 6.5	5	0.15	0.4	0.8	2.2	5.0	–
PRAS2	PRMAG2	0 ... 5	5	0.1	0.3	0.8	1.8	6.5	–
	PRMAG2-Z	0 ... 9	5	0.1	0.2	0.6	1.5	4.5	8.5
	PRMAG20	0 ... 6	5	0.15	0.4	0.8	2.2	5.0	–
PRAS5	PRMAG2	0 ... 4.5	5	0.1	0.3	0.8	1.8	6.5	–
	PRMAG5-Z	0 ... 7.5	5	0.1	0.2	0.6	1.5	4.5	8.5
	PRMAG20	0 ... 5.5	5	0.15	0.4	0.8	2.2	5.0	–
PRAS20	PRMAG2	0 ... 4.6	5	0.1	0.3	0.8	1.8	6.5	–
	PRMAG20	0 ... 3.5	5	0.15	0.4	0.8	2.2	5.0	–
PRAS21	PRMAG2	0 ... 3.6	5	0.1	0.3	0.8	1.8	6.5	–
	PRMAG20	0 ... 4.6	5	0.15	0.4	0.8	2.2	5.0	–

Sensor	Position magnet	Air gap [mm]	Paralle- lism [°]	Error by axial misalignment [°]					
				0.2 mm	0.5 mm	1 mm	2 mm	3 mm	4 mm
PRDS1	PRMAG1	0 ... 3	5	0.1	0.3	2.0	13.5	–	–
	PRMAG1-Z	0 ... 4	5	0.1	0.3	1.5	6.5	–	–
	PRMAG20	0 ... 4.5	5	0.15	0.4	0.8	2.2	5.0	–
PRDS2	PRMAG2	0 ... 5	5	0.1	0.3	0.8	1.8	6.5	–
	PRMAG2-Z	0 ... 7	5	0.1	0.2	0.6	1.5	4.5	8.5
	PRMAG20	0 ... 4	5	0.15	0.4	0.8	2.2	5.0	–
PRDS5	PRMAG2	0 ... 4.5	5	0.1	0.3	0.8	1.8	6.5	–
	PRMAG5-Z	0 ... 5.5	5	0.1	0.2	0.6	1.5	4.5	8.5
	PRMAG20	0 ... 3.5	5	0.15	0.4	0.8	2.2	5.0	–

Note: Sensor and position magnet must be mounted aligned!



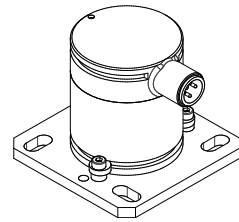
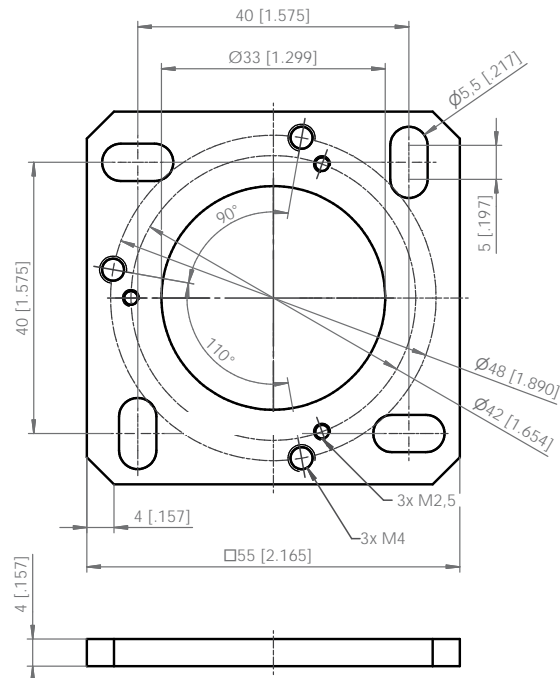


# POSIROT® Accessories Mounting Plates

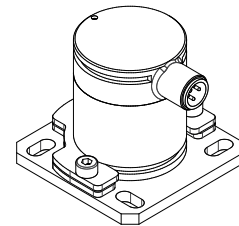


## PRPT-BPL1

(screw mounting)  
For PRAS2, PRDS2,  
PRAS3, PRDS3



In combination with the  
mounting clamps  
PRPT-BFS1 (3 x M2.5).



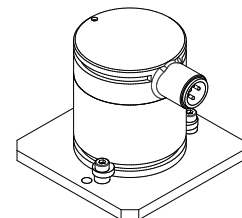
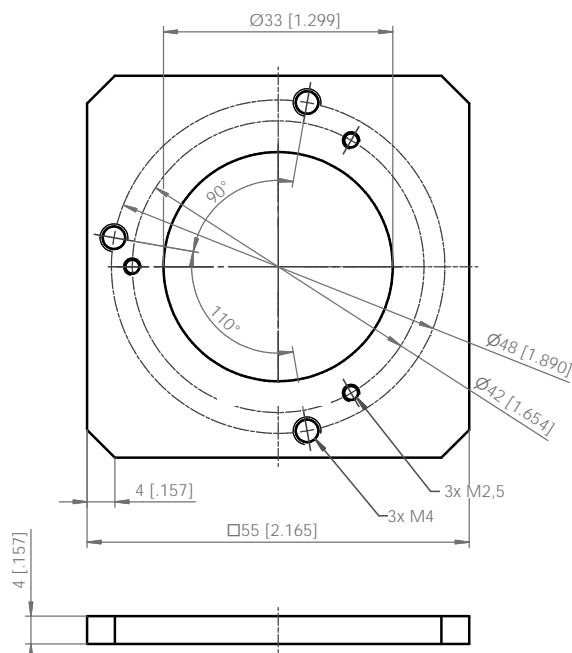
In combination with the  
mounting brackets  
PRPT-BFS2 (3 x M4).

Dimensions in mm [inch]

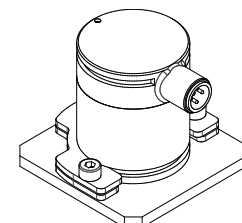
Weight 30 g approx.  
Dimensions informative only.  
For guaranteed dimensions please consult factory.

## PRPT-BPL2

(welding assembly)  
For PRAS2, PRDS2,  
PRAS3, PRDS3



In combination with the  
mounting clamps  
PRPT-BFS1 (3 x M2.5).



In combination with the  
mounting brackets  
PRPT-BFS2 (3 x M4).

# POSIROT® Accessories Connector Cables



## Connector cable for POSIROT® angle sensors 4 pins M12

Suitable for 5-pin sensor connectors M12A5 and M12R5

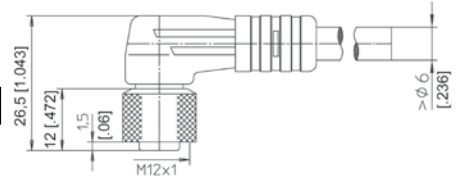
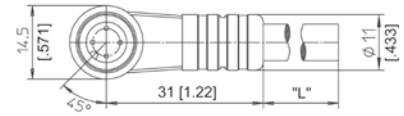
The 4-core screened cable is supplied with a mating 4-pin 90° M12 connector at one end and 4 wires at the other end. Available lengths are 2, 5 and 10 m.

Order code:

**KAB - XM - M12/4F/W - LITZE**

IP69K: **KAB - XM - M12/4F/W/69K - LITZE**

Length in m



## Connector cable for POSIROT® angle sensors 4 pins M12

Suitable for 5-pin sensor connectors M12A5 and M12R5

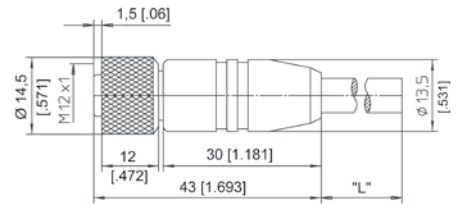
The 4-core screened cable is supplied with a mating 4-pin M12 connector at one end and 4 wires at the other end. Available lengths are 2, 5 and 10 m.

Order code:

**KAB - XM - M12/4F/G - LITZE**

IP69K: **KAB - XM - M12/4F/G/69K - LITZE**

Length in m



### Signal wiring M12, 4 pin

#### Connector pin / cable color

1	2	3	4
Brown	White	Blue	Black

## Connector cable for POSIROT® angle sensors 8 pins M12

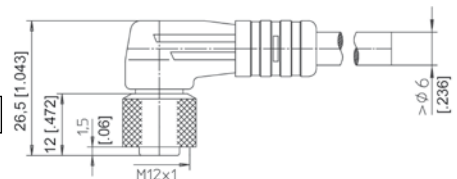
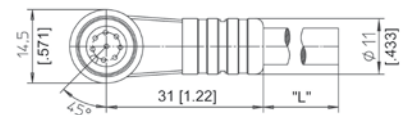
The 8-core screened cable is supplied with a mating 8-pin 90° M12 connector at one end and 8 wires at the other end. Available lengths are 2, 5 and 10 m.

Order code:

**KAB - XM - M12/8F/W - LITZE**

IP69K: **KAB - XM - M12/8F/W/69K - LITZE**

Length in m



## Connector cable for POSIROT® angle sensors 8 pins M12

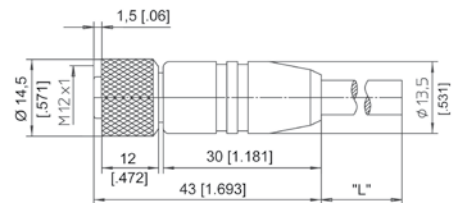
The 8-core screened cable is supplied with a mating 8-pin M12 connector at one end and 8 wires at the other end. Available lengths are 2, 5 and 10 m.

Order code:

**KAB - XM - M12/8F/G - LITZE**

IP69K: **KAB - XM - M12/8F/G/69K - LITZE**

Length in m



### Signal wiring M12, 8 pin

#### Connector pin / cable color

1	2	3	4	5	6	7	8
White	Brown	Green	Yellow	Grey	Pink	Blue	Red